



**TARTARUGA
DESIGN INC.**

TEL: 416-762-0418
FAX: 416-762-0232

Drawings are intended to convey dimensional information only. It is the responsibility of the client and/or contractor to ensure that the substrate has been designed and built to safely carry the intended load and conform to the appropriate local building codes. This drawing is an instrument of service and remains the property of Tartaruga Design Inc., to be returned upon request.

APPROVED: _____

DATE: _____

Notes

Original Drawing

Client
TARTARUGA DESIGN INC.

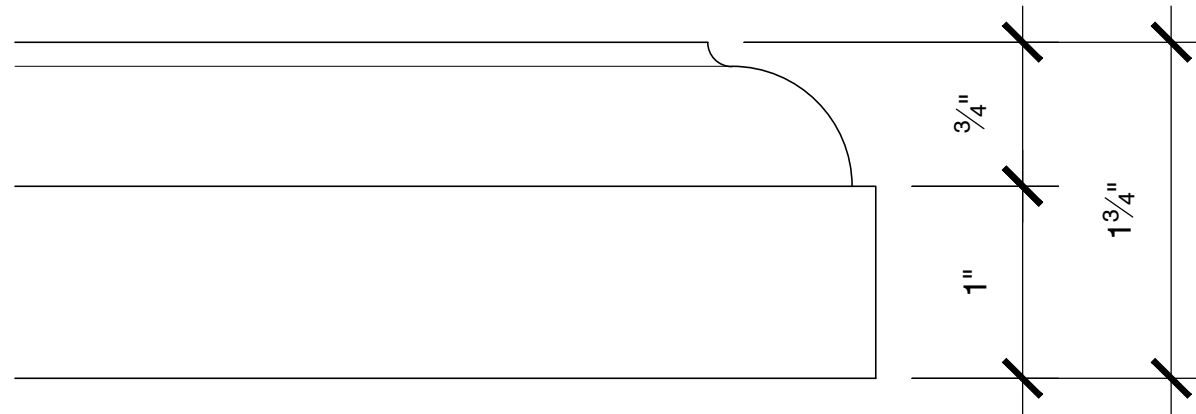
Project
STANDARD FLAT
RECTANGULAR HEARTH
(OGEE)

Material -

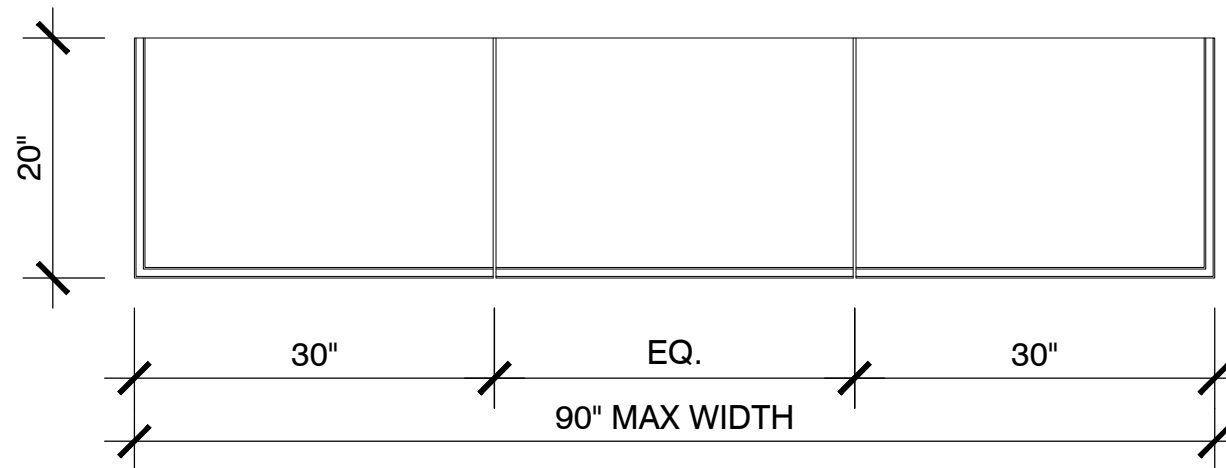
Scale AS NOTED

Date

0.0



PROFILE SECTION - FULL SCALE



HEARTH PLAN 3/4" = 1'-0" SCALE